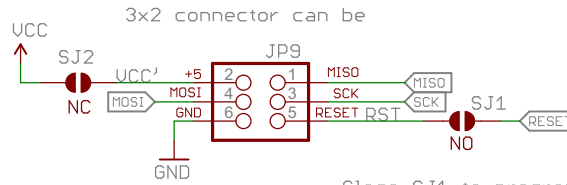
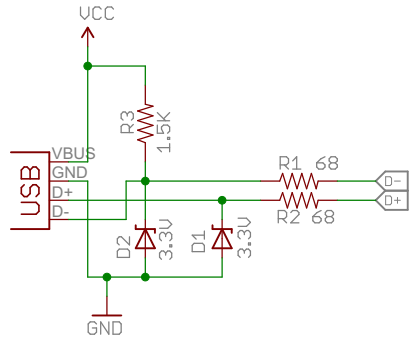
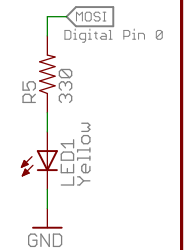
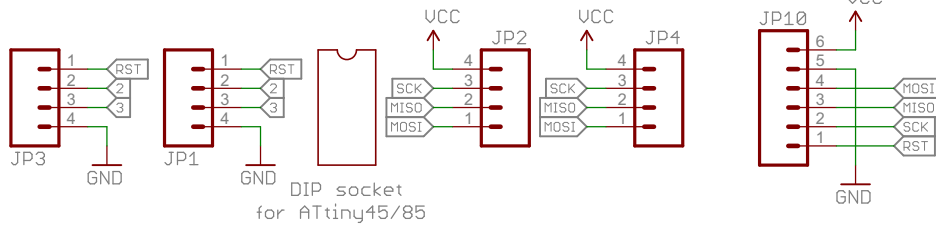
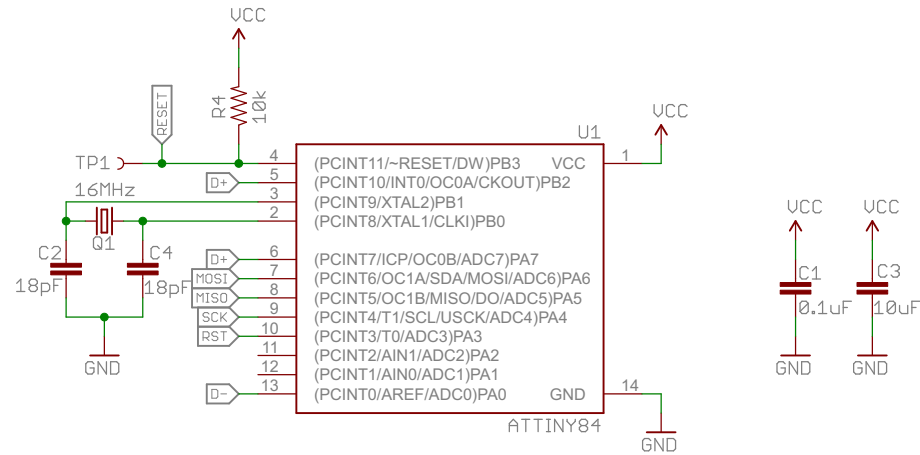


Changes on v1.2:  
 Capitalized on silk indicators  
 Squished PCB layout  
 Added 6-pin SIP to end of board  
 Added comments to schematic



SJ2:  
 Closed: Target is powered from 5V USB  
 Open: Target must have external UCC provided

Close SJ1 to program the ATtiny84



SFE

Released under the Creative Commons Attribution Share-Alike 3.0 License  
<http://creativecommons.org/licenses/by-sa/3.0/>

TITLE: Tiny\_Programmer

Design by:  
 David A. Mellis, Jordan McConnell

Date: 9/26/2013 11:31:36 AM

REV:  
 Sheet: 1/1

